

P_M Single Fiber Collimator

Features:

- High Polarization Extinction Ratio
- Low Insertion Loss
- High Return Loss
- Telcordia Compliant
- Epoxy-Free in Optical Path
- RoHS Compliant



Applications:

- Isolators
- Circulators
- DWDM
- Coherent Optics
- Signal Processing

Specifications:

Parameter	Unit	Grade "A"				
Type		Standard Size		Mini Size ¹		
Working Distance	mm	<20	20~100 ¹	<20	20~60	
Central Wavelength (λ_c)	nm	1310 or 1550				
Working Wavelength	nm	1310+/-40 or 1550+/-40				
Insertion Loss ^{1,2} (λ_c , 23°C)	Typ.	dB	0.20	0.30	0.25	0.30
	Max.	dB	0.25	0.35	0.30	0.35
Return Loss (λ_c , 23°C)	Max.	dB	60		55	
Extinction Ratio ³ (λ_c , 23°C)	Min.	dB	23			
Housing Diameter (O.D.)	Typ.	mm	2.80 (glass tube)		1.40, 1.80 (glass tube)	
			3.20 (metal tube)		1.30, 1.80 (metal tube)	
Housing Length (L)	Typ.	mm	9.0		8.0	
Fiber Type			400 μ m Panda			
Fiber Length	Min.	m	1.0			
Tensile Load	Min.	N	5			
Power Handling	Max.	mW	500			
Operating Temperature		°C	0~70			
Storage Temperature		°C	-40~85			

1. For C-lens Only.

2. All specs are measured with a pair of collimators.

3. All specs are measured without connectors, IL is 0.20dB higher with xx/APC connectors, RL 5dB lower with xx/APC connectors;

IL 0.25dB higher with xx/UPC and xx/PC connectors, RL 10dB lower with xx/UPC and xx/PC connectors, ER is 3dB lower with connectors.

Note: Other specs are available upon request.

Dimension:

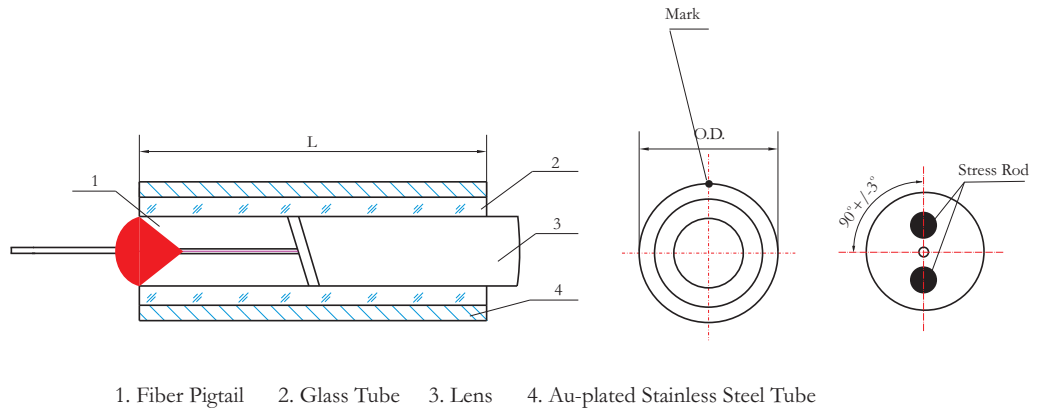


Figure 1. PM Single Fiber Collimator

Order Information:

XXXX - X - XXX - XXXX - X - (XX) - XXX - X - XX
 A B C D E F G H I

A	Collimator Type	KPMC=PM single fiber PMMS=Mini size PM single fiber
B	Grade	A=Grade "A" S=Custom
C	Fiber Type	400=400μm panda
D	Wavelength	1310=1310nm 1550=1550nm
E	Tube	M=Metal G=Glass
F	Housing Diameter (Mini Size)	13=1.30mm 14=1.40mm 18=1.80mm 005=5mm
G	Working Distance	020=20mm 100=100mm
H	Lens Type	C=C-Lens G=GRIN Lens
I	Connector	NN=W/O connector XY=With connector ¹

1. Please specify the type of connector as below when ordering.

Mechanical Type	SC	FC
X	1	2
Physical Contact Type	PC	UPC
Y	1	2