



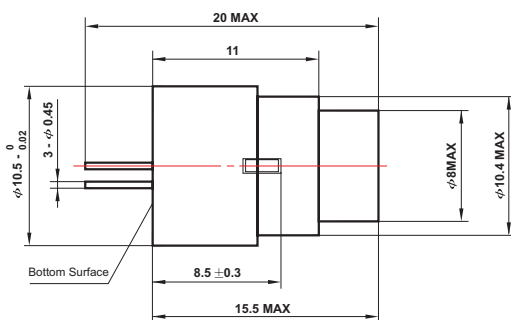
Key Features:

- ▶ Mini Size
- ▶ Low Cost
- ▶ Auto Power Control Function
- ▶ High Reliability

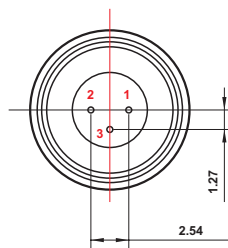
Applications:

- ▶ Laser Module
- ▶ Laser Scanning
- ▶ Laser Alignment & Pointing
- ▶ Surveying Equipments

Specifications		GDL-6001	GDL-6005	GDL-7020	GDL-7050
CW Output Power (Typ)		1mW	5mW	20mW	50 mW
Wavelength (Typ)		532nm			
Beam Mode		TEM ₀₀			
Mode Quality (M ²)		<1.2	<1.2	<1.4	<1.4
Beam Roundness		>85%			
Power Stability	APC, over two hours at constant temperature after warm up	< ±5%			
	APC, over operating temperature range	<±20%			
Beam Divergence (Full angle, typ)		4.5mrad	5mrad	5.5mrad	7mrad
Beam Waist Location (Relative to bottom surface)		8.5±0.3mm			
Beam Alignment Tolerance	Position (Δr)	<0.3mm			
	Angle	<15mrad			
Linear Polarization		Optional (ExtinRatio >100:1 Available)			
LD Operating Voltage		<2.0v	<2.0v	<2.3v	<2.3v
LD Operating Current (Max)		380mA	380mA	600mA	600mA
Residual IR		<4%	<1%	<0.2%	<0.2%
Operating Temperature		+20~+30°C			
Operating Humidity		5%~85%			
Storage Temperature		-40~+85°C			
Shock		1000g			
Photo Diode (532nm)		Internal Included			
Package Size		Φ 10.5 × 15.5mm			



Pin Configurations : 1. LD Cathode 2. PD Anode 3. COM *
Note: * LD Anode and PD Cathode



Bottom View

Package Drawing (Unit:mm)

