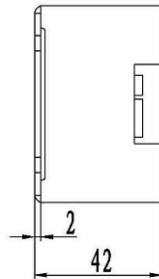
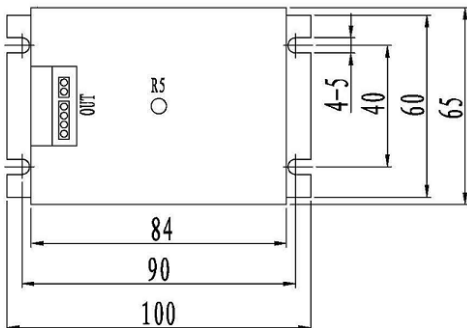




LDD-800A

Model Number		LDD-800A			
Laser Diode Driver Parameters		Specs			Conditions
		Min	Typ	Max	
Driver Current		0	-	800mA	
Driver Current Limit		50mA	-	800 mW	
Max. Driver Voltage		-	-	3.0V	
TTL Modulation		-	DC-10kHz	-	
Mechanical Parameters					
Laser Head Dimensions	Length	-	100mm	-	
	Width	-	65mm	-	
	Height	-	42mm	-	
Weight		-	200g	-	
Reliability					
Operating Humidity		-	5%~85% R.H.	-	
Operating Temperature		-	-10 to +60 °C	-	
Operating Voltage		-	100~240VAC, 50/60Hz	-	

Dimensions and Pin Configuration (Unit: mm)



1.Pins configuration of 2-pin Connector:

PIN 1	+5V	Red cable
PIN 2	0V	Black cable

2.Pins configuration of 4-pin Connector:

PIN 1	LD-
PIN 2	LD+
PIN 3	PD+
PIN 4	PD-