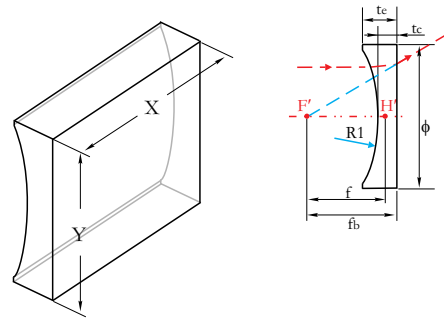


High Performance Plano-Concave Cylindrical Lens

Applications:

- WSS
- Telecommunication Systems
- Laser Measurement System



Capability

Attribute	
Material	N-BK7, grade A
Surface quality	60-40
Centration	5 arc min
Surface Figure(per 25mm @632.8nm)	$\lambda/2$
Length tolerance	+0/-0.2
Tolerance of focal length	+/-2%
Tc tolerance	+/-0.1 mm

