

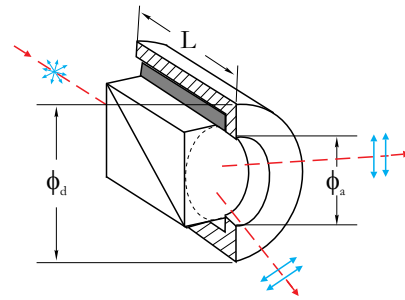
Wollaston Polarizers

Features:

- Broadband Low Power Applications
- High Polarization Purity

Applications:

- Beam Polarizing



Specifications:

Parameter	Unit	
Material		Calcite
Dimension Tolerance	mm	+/-0.2
Transmitted Wavefront		$\lambda/4@632.8\text{nm}$
Beam Diviation	arc minute	<3
Extinction Ratio		5×10^{-5}
Surface Quality (scratch/dig)		60-40
Wavelength Range	nm	350-2300nm
Transmission Efficiency		$T_p > 95\%$
Coating		Single layer MgF_2 on all entrance & exit surfaces