

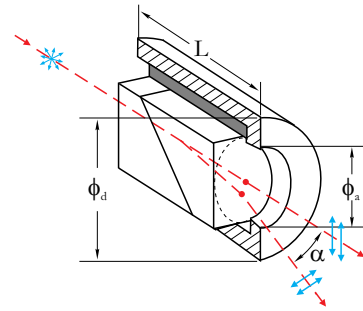
Rochon Polarizers

Features:

- Wide Wavelength Range
- High Polarization Purity

Applications:

- Beam Polarizing



Specifications:

Parameter	Unit	
Material		α -BBO
Dimension Tolerance	mm	+/-0.2
Transmitted Wavefront		$\lambda/4@632.8\text{nm}$
Extinction Ratio		5×10^{-5}
Surface Quality (scratch/dig)		20-10
Wavelength Range	nm	190-3500nm
Transmission Efficiency		$T_s > 95\%$
Coating		Single layer MgF_2 on all entrance & exit surfaces