

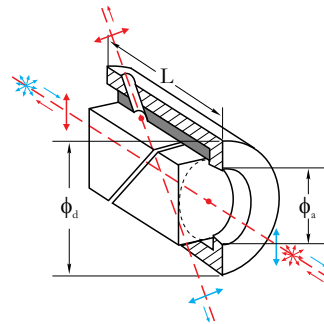
Glan Laser Polarizers

Features:

- High Power Applications
- Wide Wavelength Range
- High Polarization Purity

Applications:

- Beam Polarizing



Specifications:

Parameter	Unit	
Material		Calcite, α -BBO
Dimension Tolerance	mm	+/-0.2
Transmitted Wavefront		$\lambda/4@632.8\text{nm}$
Beam Diviation	arc minute	<3
Extinction Ratio		5×10^{-5}
Surface Quality (scratch/dig)		20-10
Wavelength Range	nm	190-3500nm (α -BBO), 350-2300nm (Calcite)
Transmission Efficiency		$T_p > 95\%$
Coating		Single layer MgF_2 on all entrance & exit surfaces