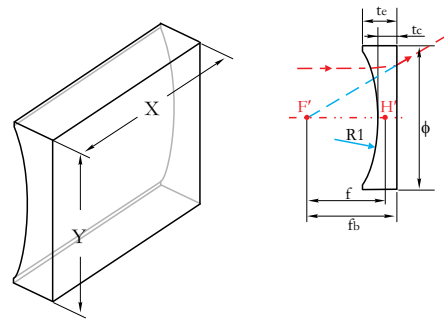


# Plano-Concave Cylindrical Lens

## Applications:

- Bar Code Scanning
- Projection Optics Systems
- Laser Measurement Systems
- Holography



## Capability

Attribute	Commercial	High Precision
Typical Material	BK7	BK7
Typical Dimension X x Y (mm)	10 x 20	10 x 20
Diameter Tolerance (mm)	+/-0.2	+/-0.05
Focus Length Tolerance (mm)	Typical +/-2% @633nm	Typical +/-2% @633nm
Centration (arc min.)	Typical <3	Typical <3
Surface Figure X (per 25mm@632.8nm)	1/2	$\lambda/4$
Surface Figure Y (per 25mm@632.8nm)	2λ	$\lambda$
Surface Quality (scratch/dig)	60-40	10-5
Bevel (face width x 45° mm)	0.2~0.5	0.05~0.2
Coating	Wavelength: customer specified, Reference to pages 65-75 Single wavelength AR: R≤0.25% per surface Broadband AR: R≤0.5% per surface	

