

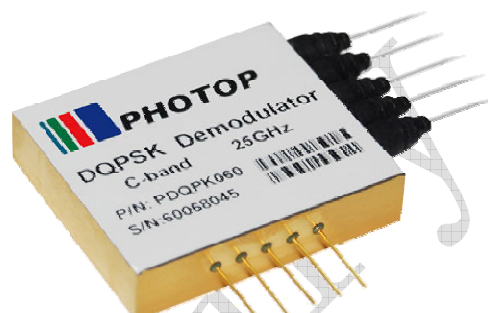
Optical DQPSK Demodulator

Features:

- C+L band coverage by a single device
- Low insertion loss and PDL
- Low polarization dependent frequency shift(PDFS)
- Tunable with temperature control
- Compact size

Applications:

- 5Gb/s or 20Gb/s DQPSK signal reception
- Data rate optimization
- Extend transmission distance

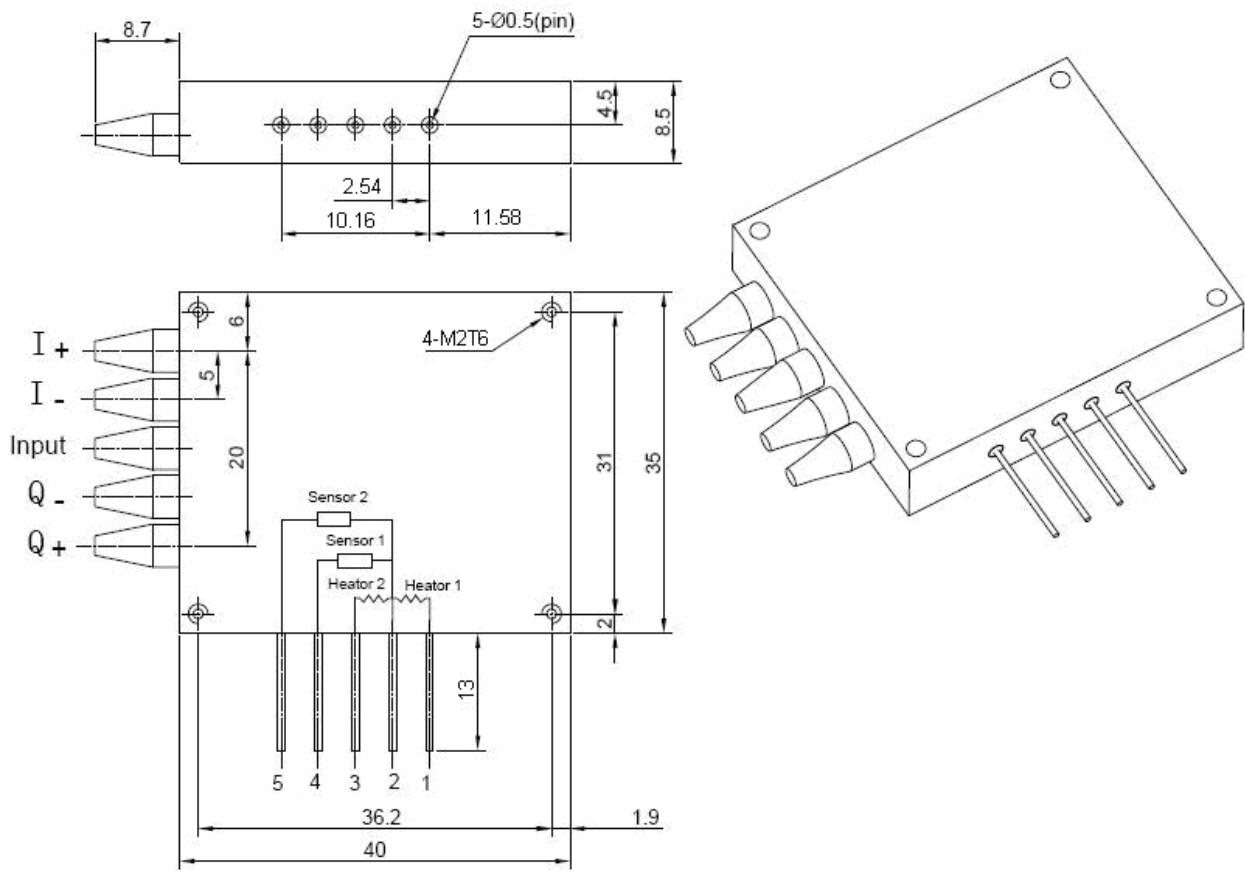


Specifications¹:

Parameter	Unit	Specification
Wavelength	nm	C / L / C+L Band
Free Spectral Range ²	GHz	21.5, 25, 32.5
FSR Error	%	1
Insertion Loss ³	dB	5
Isolation	dB	>16
PMD	ps	0.1
Return Loss	dB	40
PDL	dB	0.2
Optical Path Delay ⁴	ps	1.0
Tuning Range	FSR	1.5
Tuning Speed ⁵	sec	1.0
Sensor (NTC)	kOhm	10
Heator	NA	<1W, 5VDC
Fiber type	NA	SMF-28e
Operating temperature	°C	-5~65
Storage temperature	°C	-40~+80
Dimension	mm	40x35x8.5

Notes:

1. All specs are typical only and customer can specify.
2. Half of the demodulated signal rate.
3. Include contribution from connectors.
4. Delay difference between 4 output ports from the input.
5. Based on the control electronics circuit



Order Information:

PSKD - X - XXX - XXX - XX - XX

A B C D E

A	Grade	A=Grade "A"
B	Wavelength	C Band
		L Band
		C+L Band
C	Fiber Type	250s=250µm
		900L=900 µm loose tube
D	Free Spectral Range	21.5GHz
		25 GHz
		Customer Specifies
E	Connector	NN=W/O connector
		XY=With connector1

1. Please specify the type of connector when ordering.

Mechanical TypeE	Other	SC	FC	ST	MU	LC
X	0	1	2	3	4	5
Physical Contact Type	Other	PC	UPC	APC		
Y	0	1	2	3		